

### Description

The relative humidity and temperature sensors consist of highly reliable loop powered circuitry designed to provide accurate environmental measurements and work with TELSEC® 2000RM, 1500WM, 2000, and 1000. There are three transmitter versions, and each version is available in either room, duct, or outdoor mount packaging. The humidity portion returns 4-20 mA directly proportional to 0- 100% RH.

There are two different temperature transmitters available. One version returns a current signal ranging from 4 to 20 mA which is linearly proportional to a -13° to 185°F (-25°C to + 85°C) temperature span, and the other version returns a current signal proportional to absolute temperature (1 uA/°K).

The humidity transmitter requires two wires for proper operation, while each of the humidity/temperature transmitters requires three wires for proper operation. All outputs are unaffected by electrical interference and allow for very long wiring runs on unshielded twisted pair wire.

	<b>P/N 150904</b> Humidity/Temp	<b>P/N 150905</b> Humidity	<b>P/N 150907</b> Humidity/AD592 Temp
<b>HUMIDITY</b> (0 to 100% RH @ 77°F (25°C))			
Accuracy	± 2% RH	± 2% RH	± 2% RH
Repeatability	± 0.5% RH	± 0.5% RH	± 0.5% RH
Sensor			
Interchangeability	± 3%	± 3%	± 3%
Stability/5 Years	± 1% RH drift	± 1% RH drift	± 1% RH drift
Response Time (90% of reading)	5 seconds	5 seconds	5 seconds
Operating Range	- 13° to 185°F (-25° to 85°C)	- 13° to 185°F (-25° to 85°C)	- 13° to 185°F (-25° to 85°C)
Output	4 to 20 mA DC	4 to 20 mA DC	4 to 20 mA DC
Supply Voltage	+12 to +40 VDC	+12 to +40 VDC	+12 to +40 VDC
<b>TEMPERATURE</b>			
Accuracy	± 1°F(± 0.5°C)		± 1°F(± 0.5°C)
Repeatability	0.2°F(0.1°C)		0.2°F(0.1°C)
Sensor	± 1°F(± 0.5°C)		± 1°F(± 0.5°C)
Interchangeability			
Stability	< 0.1°C/month		< 0.1°C/month
Operating Range	-13° to 185°F (-25° to 85°C)		-13° to 221°F (-25° to 105°C)
Output	4 to 20 mA DC		1 uA/°K
Supply Voltage	+12 to + 40 VDC		Nom. @ 77°F(25°C)(298.2°K) = 298.2uA + 4 to + 40 VDC

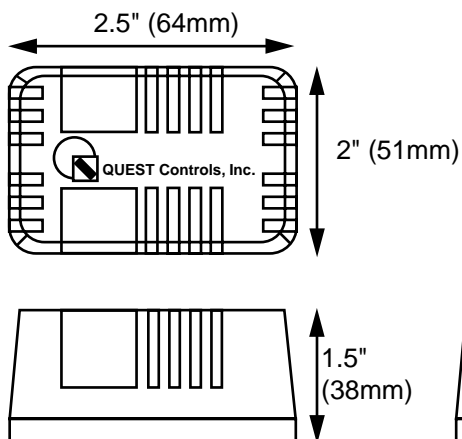
# SPECIFICATION - Peripherals

## Humidity/Temperature Sensors

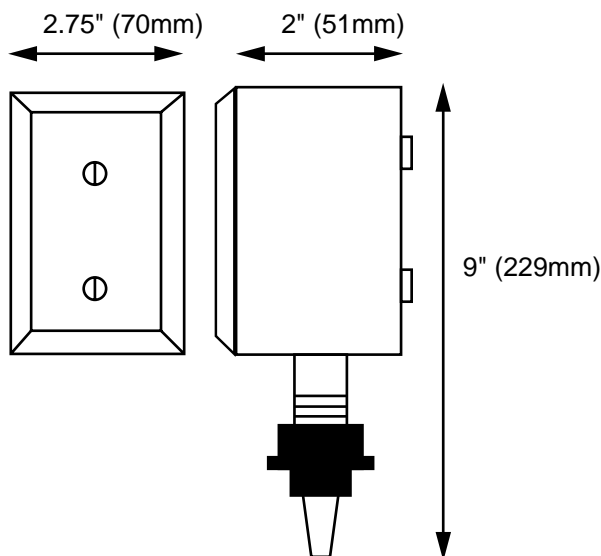
### P/N 15090x-xx

### DIMENSIONS

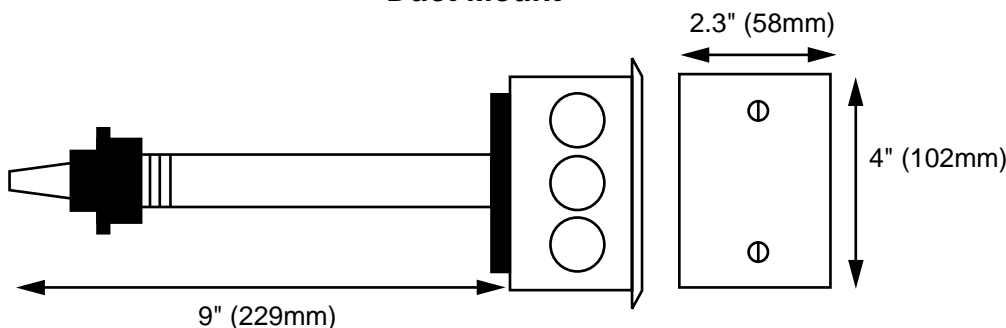
#### Wall Mount



#### Outdoor Mount



#### Duct Mount



### Ordering Information

	Humidity Only	Humidity/Temp	Humidity/AD592 Temp
<b>Wall Mount:</b>	150905-00	150904-00	150907-00
<b>Duct Mount:</b>	150905-01	150904-01	150907-01
<b>Outdoor Mount:</b>	150905-02	150904-02	150907-02

#### Example:

To order a duct mount humidity with transmitter, order part number:  
150904-01

**Warranty:** One (1) year