



Q3 RTU™

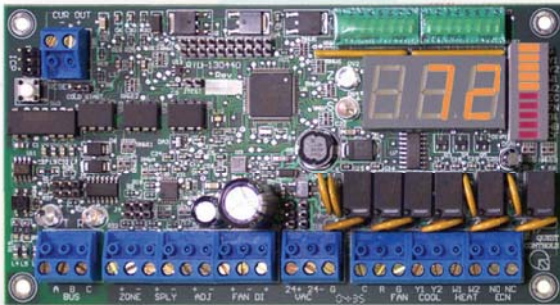


Controller for Rooftop and Remote HVAC Systems

The Q3RTU™ Controller is a stand-alone and network-capable specific purpose controller designed to monitor and control air conditioning systems:

- Provides direct digital control over all environmental control functions, ensuring complete HVAC automation, providing reduced maintenance costs, reduction in energy consumption and increased efficiency.
- Compact, versatile package operates with a standard control program or can be customized to meet your requirements.
- Reduces operating expenditures by precise zone temperature and humidity control.
- Sensor display for convenient maintenance and customer information.
- Extends life of critical operating equipment.
- Designed for buildings where multiple air conditioning systems are in use.
- Superior upgrade from conventional thermostat control.

The Q3RTU™ Controller and Q3™ make a complete building management system.



Q3RTU™ Offers full digital control for air conditioning units and is installed in the rooftop HVAC system.



Typical Applications:

- Fast Food Outlets • Restaurants
- Convenience Stores • Drug/HB Chains
- Apparel Specialty • Office Products
- Discount Department Stores
- Home Center/Hardware • Pet Supplies

Q3RTU™: Comfort, energy efficiency, reduced equipment maintenance for your HVAC equipment.

Q3 Building Management System

 **Quest Controls, Inc.**
 Smart Control Solutions for Buildings
www.questcontrols.com

Q3 RTU™ Controller for Rooftop and Remote HVAC Systems

Q3RTU™ Features

- Complete digital control
- Stand-alone and remote control
- Controls multiple air conditioning units for fan, cooling, and heating
- Up to 16 Q3RTU™ units can be networked to a Q3™ system
- Status LEDs
- Zone and supply temperature display



Q3RTU™ units are installed in rooftop HVAC systems

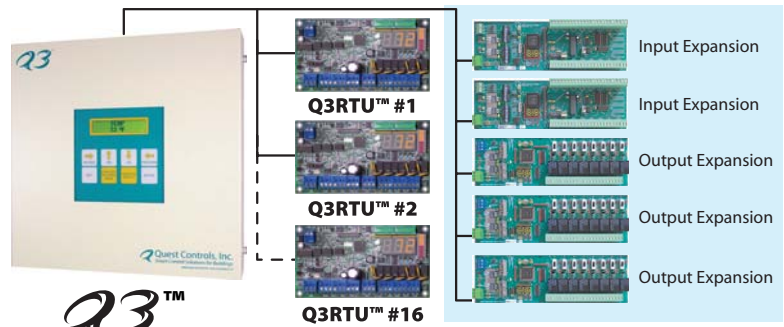
Q3RTU™ network including the Q3™



Modem/
Ethernet

(Q3RTU™ units are installed in rooftop HVAC)

Panel



Remote or In-house Communications

*Up to 16 Q3RTU™ units can be networked to a Q3™ system

Specifications

Part Number	150440
Digital Outputs (6)	Fan, cool 1, cool 2, heat 1, heat 2, economizer
Analog Outputs (1)	Output range 0-20 mA
Analog Inputs (3)	Zone sensor, supply sensor, and setpoint adjustment sensor
Digital Inputs (2)	Fan status and dirty filter
Status LEDs	Output status, Power, Network transmit & receive, Communication Fail, Heartbeat
Power LED	24VAC or 24VDC@0.2 amps
LED	Readout with 7 segment display for status of zone and supply temperature sensors.
Network Interface	RS-485
Sensor Accuracy	±1°F (±05°C) over full range
Environmental	Operating Temp -40° to 185°F (-40° to +85°C) 0-95% RH Noncondensing
Mounting	TDK Snaptrack (outdoor installation requires the Q3RTU™ to be in a NEMA 4 Enclosure)
Size	3" H x 6" W x 1.3" D (76mm H x 152mm W x 33mm D)
Weight	1 lb (454g)
Warranty	One year



Specifications subject to change without notice

Quest Controls, Inc.
Smart Control Solutions for Buildings

www.questcontrols.com

208 9th Street Drive West, Palmetto, FL 34221 • Tel: (941) 729-4799 • Fax: (941) 729-5480

Q3RTU101309v6 Printed in USA